

## 4" Ceiling Speakers

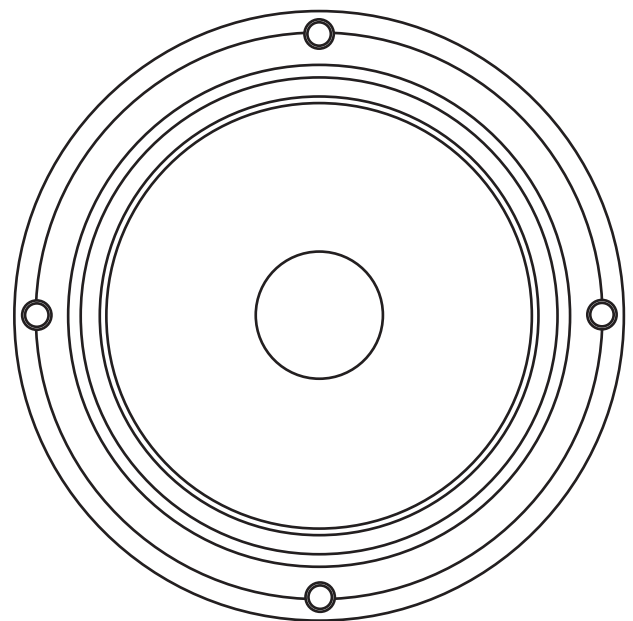
CF404-8A  
CF404-4T  
CF404-8T

### FEATURES – THE ALTEC LANSING DIFFERENCE

- High Fidelity Premium 4 inch / 100 mm full-range loudspeaker
- High Performance 32 W EIA / 128 W peak power handling
- Corrosion resistant, die-cast speaker frame
- Special moisture resistant cone material
- Available with two factory-mounted 4 W or 8 W 70 V/100 V transformers
- All transformers have a low <.6 dB insertion loss

### GENERAL PRODUCT DESCRIPTION

The Altec Lansing Professional CF404 series is a high fidelity, high performance, premium full-range loudspeaker. The CF404 family is a popular choice in airports & transportation facilities, restaurants & clubs, boutiques and all ceiling applications that require high fidelity music reproduction. The moisture resistant 4 inch / 100 mm speaker features a rust-resistant frame. To aid in the dispersion of higher frequencies, the loudspeaker employs an acoustically isolated dome. The optional 70 V / 100 V transformers (4 and 8 Watts) feature a low < 0.6 dB insertion loss.



SPECIFICATION	DIMENSIONS	SHIPPING WEIGHT
<b>Frequency Response</b> 130 – 14,000 Hz +/- 5 dB	<b>CF404-8A</b> Height: 2.03 in (51.6 mm) Diameter: 5.31 in (135 mm)	<b>CF404-8A</b> 2 lbs 5 oz (1.0 Kg)
<b>Low frequency limit (-10 dB)</b> 85 Hz	<b>CF404-4T</b> Height: 4.57 in (113.1 mm) Diameter: 5.31 in (135 mm)	<b>CF404-4T</b> 3 lbs 12 oz (1.7 Kg)
<b>Power Handling</b> 32 W EIA, 128 W peak	<b>CF404-8T</b> Height: 4.57 in (113.1 mm) Diameter: 5.31 in (135 mm)	<b>CF404-8T</b> 3 lbs 12 oz (1.7 Kg)
<b>Sensitivity (SPL - 1 W 1 m)</b> 94 dB	<b>NET WEIGHT</b>	<b>TRANSFORMER</b>
<b>Maximum Output (Peak SPL)</b> 115 dB	<b>CF404-8A</b> 1 lbs 14 oz (0.8 kg)	<b>CF404-4T</b> 4 Watt 70 V / 100 V with 70 V taps @ 4 W, 2 W, 1 W and 0.5 W
<b>Magnet Weight</b> 0.63 lb (0.29 kg)	<b>CF404-4T</b> 3 lbs 3 oz (1.5 kg)	<b>CF404-8T</b> 8 Watt 70 V / 100 V with 70 V taps @ 8 W, 4 W, 2 W and 1.0 W
<b>Impedance</b> Nominal - 8 Ohms Minimal - 7.7 Ohms	<b>CF404-8T</b> 3 lbs 4 oz (1.5 Kg)	

## ARCHITECTS & ENGINEERS SPECIFICATION

The loudspeaker shall be an Altec Lansing Professional CF404 series with a 4 inch (100 mm) full range moisture resistant speaker, acoustically isolated dome and corrosion-resistant die-cast frame. The speaker shall have a power rating of 32 W EIA / 128 W peak. The frequency response shall be 130 to 14,000 Hz +/- 5 dB with a sensitivity of 94 dB @ 1 W 1 m. All transformers shall have a low < 0.6 dB insertion loss. The model numbers shall be Altec Lansing Professional CF404-8A for 8 Ohms impedance, CF404-4T with a 4 Watt 70 V/100 V transformer, and a CF404-8T with an 8 Watt 70 V/100 V transformer.

## ENCLOSURES AND BAFFLES

All measurements were made in a standard AES baffle for a 12 inch driver. The driver was housed in a 0.084 ft<sup>3</sup> (0.002 m<sup>3</sup>) enclosure.

The CF404-series ceiling speakers use a unique die-cast speaker frame. Prior to installation in a standard 4 inch (100 mm) back can or enclosure, please make sure that the CF404 frame dimensions are compatible.

Please note that larger volume enclosures will result in altered low frequency performance.

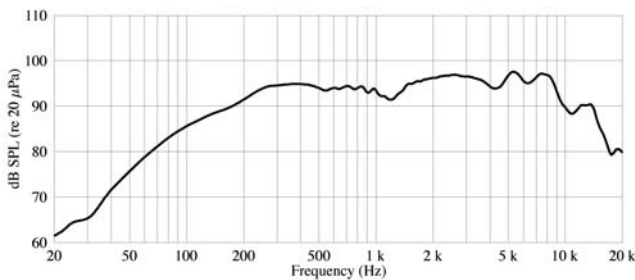
## SAFETY CONSIDERATION

1. Appropriate connectors with suitable ratings must be used to make all installation connections.
2. All unused taps must be insulated with suitable insulation.
3. Transformers and speaker combinations must be supplied by a suitable amplifier incorporating ungrounded outputs only and reinforced insulation (as per IEC60065) from output to mains.

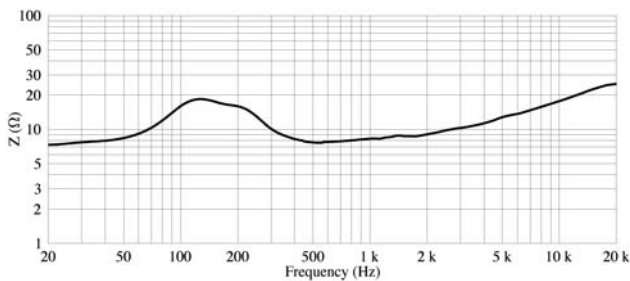
## ACCESSORIES

Altec Lansing recommends use of our torsion-mounted enclosure and grille for the CF404. Since the CF404 uses a unique die-cast speaker frame, we recommend you check the frame dimensions for compatibility before installing in an industry-standard enclosure & grille assembly.

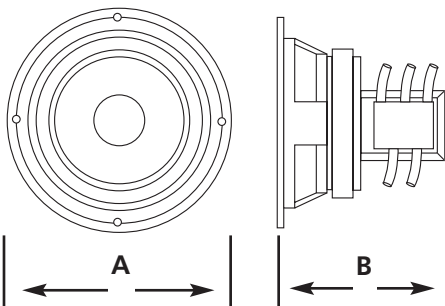
### Frequency Response (1 W 1 m on-axis)



### Impedance

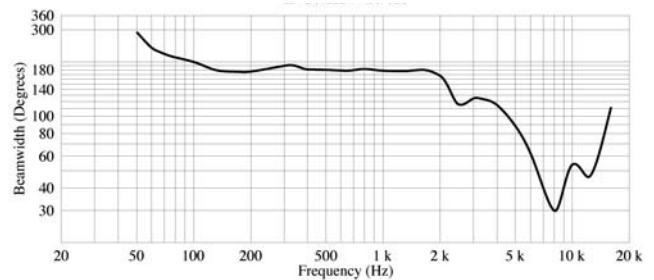


### MOUNTING DIMENSIONS

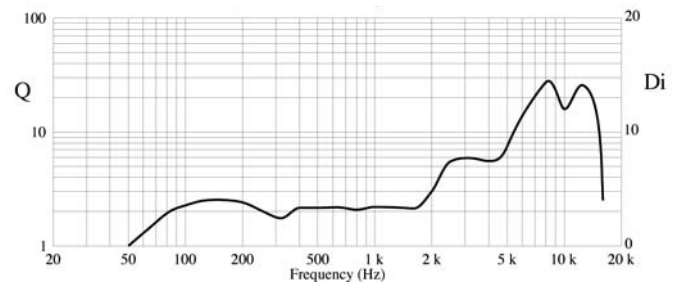


	A	B
CF404-8A	5.31 in (135 mm)	2.03 in (51.5 mm)
CF404-4T	5.31 in (135 mm)	4.57 in (116 mm)
CF404-8T	5.31 in (135 mm)	4.57 in (116 mm)

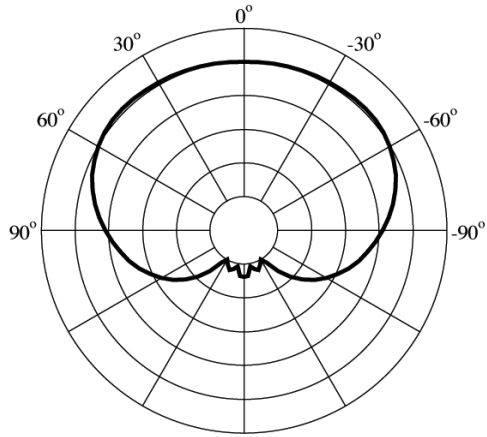
### Beamwidth



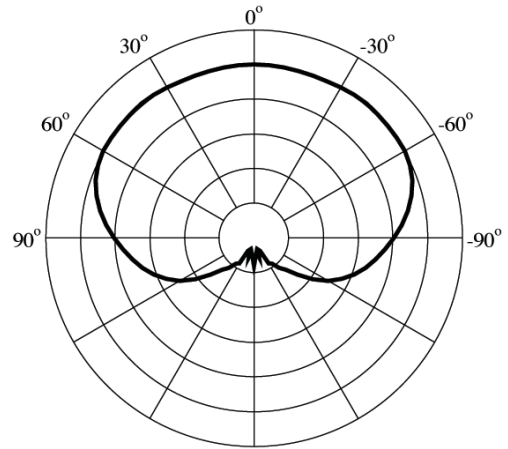
### Q & Directivity Index



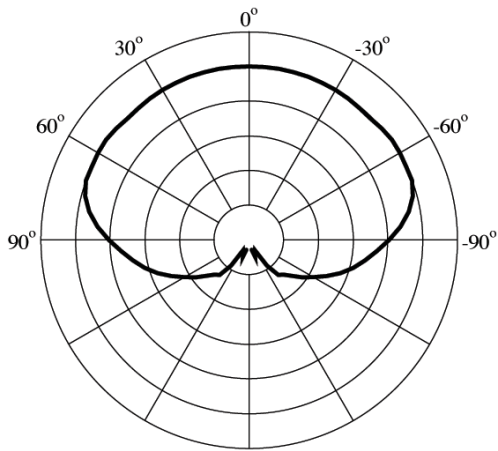
**One Octave Polar Response Charts**  
**6 dB/Division**



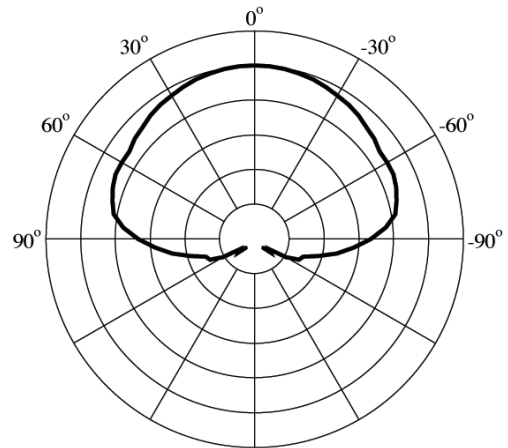
**250 Hz**



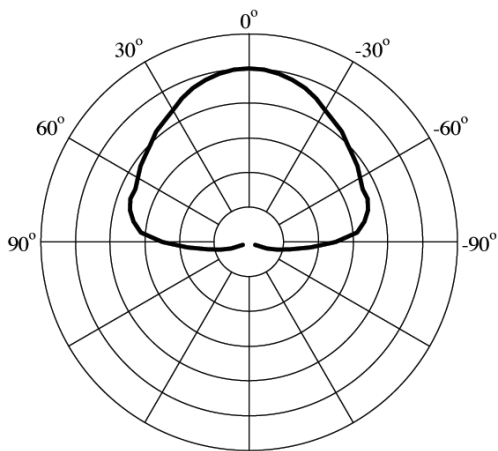
**500 Hz**



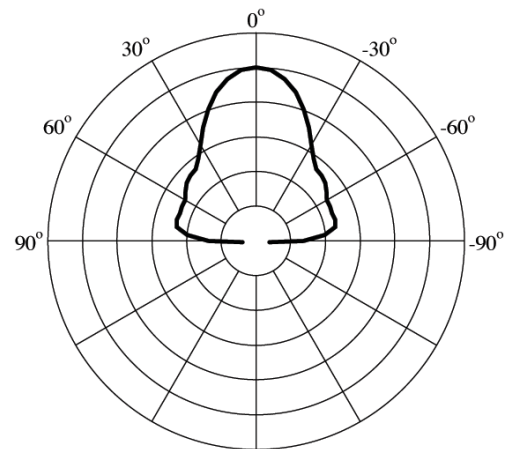
**1 kHz**



**2 kHz**



**4 kHz**



**8 kHz**

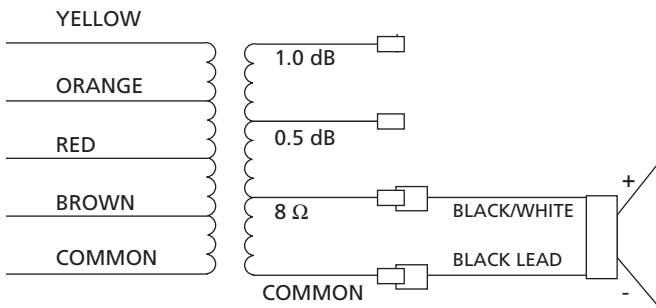
As we are continually striving to improve Altec Lansing products, specifications are subject to change without notice.

TRANSFORMER CHART

CF404

Premium 4 W Transformer (T504-71) Primary	Premium 8 W Transformer (T508-71) Primary	70.7 V Primary Tap Color Code	100 V Primary Tap Color Code
4.0 W	8.0 W	Brown	Red
2.0 W	4.0 W	Red	Orange
1.0 W	2.0 W	Orange	Yellow
0.5 W	1.0 W	Yellow	N/A
Primary Common		Black	

WIRING DIAGRAM



**ALTEC  
LANSING.**

PROFESSIONAL

© 2002 Altec Lansing Professional  
1000 W. Wilshire Blvd., Suite 362  
Oklahoma City, Oklahoma 73116

Phone: 1-405-848-3108 • Fax: 1-405-848-3217

Web: [www.alteclansing.com](http://www.alteclansing.com) • Email: [proinfo@alteclansing.com](mailto:proinfo@alteclansing.com)