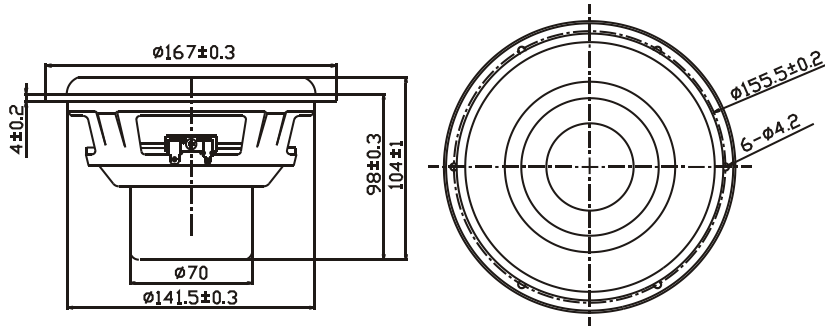


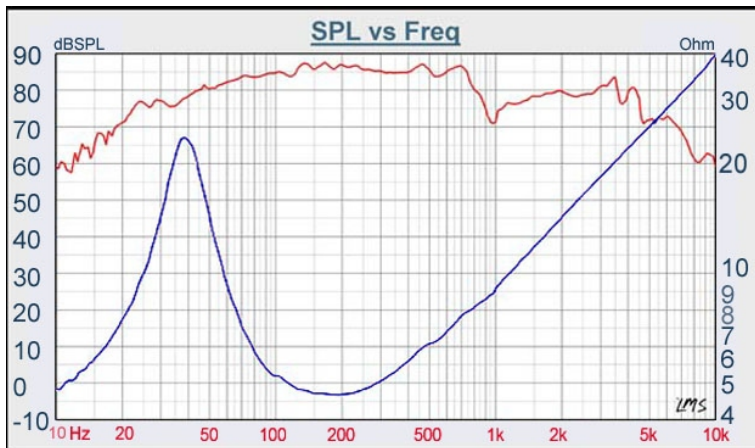
PA SERIES

W6-1139SC



- LONG-THROW HIGH-POWER LOADING DESIGN (X-max=11.5mm)
- PAPER CONE WITH BIG ROLL, SPECIAL LESS DAMPING, WIDE RANGE TEMPERATURE RUBBER SURROUND
- VENTED POLE PIECE, NEODYMIUM MAGNET DESIGN
- STAMPING STEEL BASKET
- SUITABLE FOR SUBWOOFER APPLICATION

6.5" PAPER SUBWOOFER



DIAPHRAGM MTL	Paper
SURROUND MTL	Rubber
NOMINAL IMPEDANCE	4
DCR IMPEDANCE	3.6
SENSITIVITY 1W/1m	83 dB
FREQUENCY RESPONSE	35 -8K Hz
FREE AIR RESONANCE	35 Hz
VOICE COIL DIAMETER	38.5 mm
AIR GAP HEIGHT	6 mm
NOMINAL POWER	60 W
MUSIC POWER	120 W
FORCE FACTOR, BL	8.48 TM
MAGNET WEIGHT (oz)	Neodymium
MOVING MASS	39.40 g
FERROFLUID ENHANCED	No
SUSPENSION COMPLIANCE	526,3 MN ⁻¹
EFFECTIVE PISTON AREA	0.0140 m ²
Levc	0.98 mH
Zo	24,04 ohm
X-max	11.5 mm
Vas	14,65 Litr
Qts	0.37
Qms	2.46
Qes	0.43